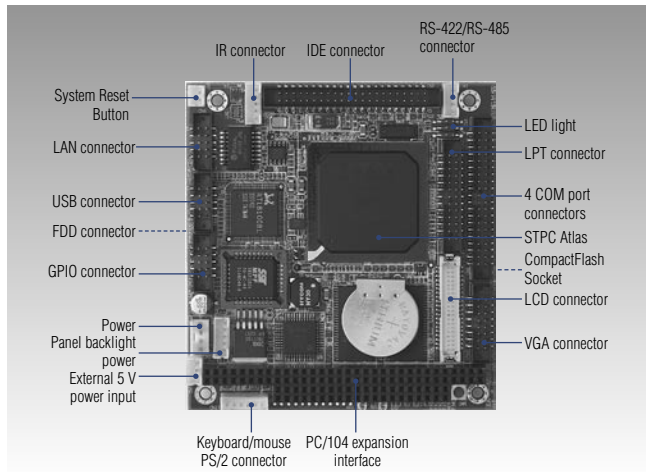


PCM-3341

STPC® ATLAS PC/104 CPU Module with VGA/LCD/Ethernet/SSD



Features

- Low Power STPC® ATLAS CPU Fanless Module
- Onboard 32 SDRAM (64 MB option)
- 18-bit TFT LCD support
- Up to four COMs supported
- Two USB 1.1 support
- CompactFlash® slot Type I support

Specifications

General

- **CPU** STPC ATLAS 133 MHz CPU module
- **BIOS** AWARD® 256 KB Flash BIOS
- **System Memory** Onboard 32 SDRAM (64 MB option)
- **SSD** Supports CompactFlash Card TYPE I (share 2nd IDE Channel)
- **Watchdog Timer** 63 scale, hardware reset and IRQ selection
- **Expansion Interface** 1 x PC/104
- **Battery** Lithium 3V/196 mAh

I/O

- **I/O Interface** 1 x EIDE (DMA 33), 1x FDD (optional), 1 x K/B, 1 x Mouse, 3 x RS232, 1 x RS232/422/485, 1 x LPT
- **USB** 2 x USB 1.1 compliant Ports
- **IrDA** 115 kbps, IrDA 1.1 Compliant
- **GPIO** 8-bit IN/OUT

Ethernet

- **Chipset** Realtek® RTL8100BL
- **Ethernet Interface** IEEE 802.3u 100Base-T

Display

- **Chipset** STPC ATLAS support 18-bit TFT LCD Panel
- **Memory Size** Shared Memory Architecture, up to 4 MB using system memory
- **Resolution** * CRT Display mode: Up to 1280 x 1024 at 75 Hz
* LCD Display mode: Up to 1024 x 1024 and up to 18-bit TFT
- **LCD Interface** Hirose connector supports 18-bit TFT LCD Panel

Mechanical and Environmental

- **Dimension (L x W)** 96 x 90 mm (3.8" x 3.5")
- **Weight** 0.85 kg (weight of total package)
- **Operating Temperature** 0 ~ 60° C (32 ~ 140° F)
- **Operating Humidity** 0% ~ 90% relative humidity, non-condensing

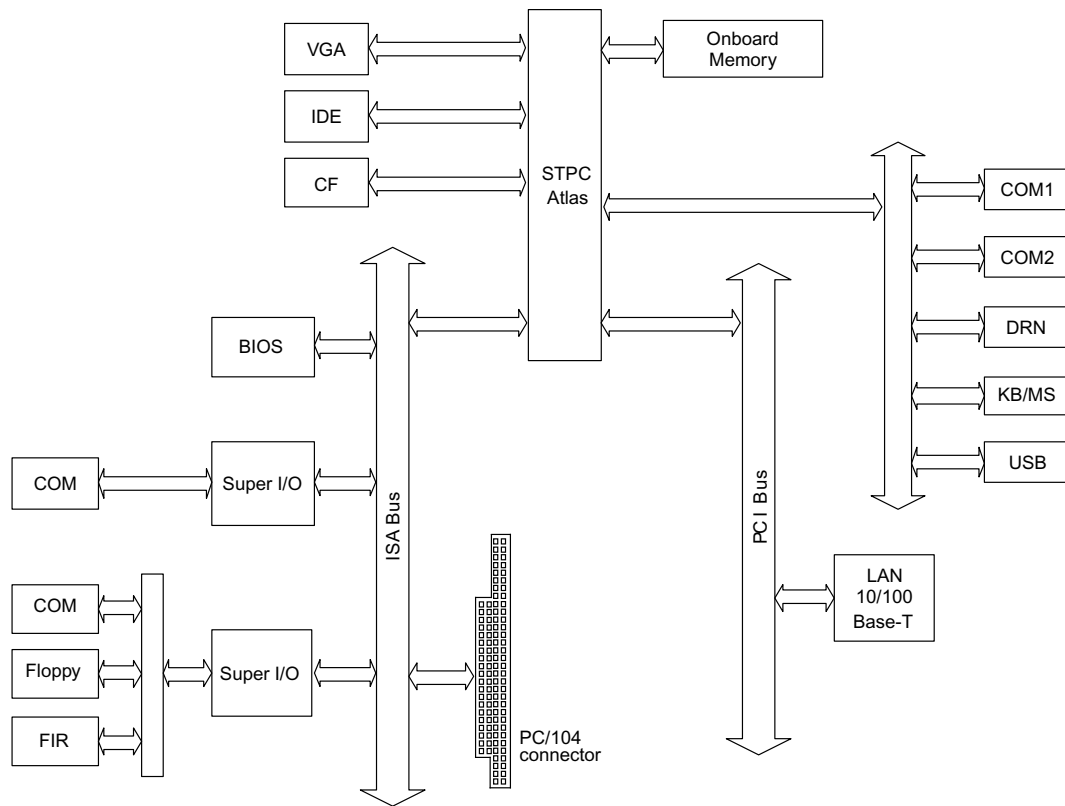
Power

- **Power Supply Voltage** 4-pin power connector, +5 V power
- **Power Requirement** (STPC ATLAS, 32 MB SDRAM)
Average: +5 V @ 1.6 A

Packing List

- 1 x PCM-3341 SBC
- 1 x KB/Mouse Y-cable EXT cable (p/n: 1703060053)
- 1 x KB/Mouse Y-Cable (2 PS/2) (p/n: 1700060202)
- 1 x VGA cable (p/n: 1701160150)
- 1 x Ethernet RJ45 conversion cable (p/n: 1701100202)
- 1 x IDE (HDD) cable (p/n: 1701440504)
- 4 x COM port cables (p/n: 1700100181)
- 1 x LPT port cable (p/n: 1700260250)
- 1 x Startup manual
- 1 x CD-ROM (Manual, Driver, Utility)

Board Diagram



Ordering information

Part No.	CPU	On Board Memory	CRT	TTL	10/100	RS-232	RS422/485	LPT	FDD	CF	KB/MS	PCI-104 connector	PC/104 connector	Thermal Solution	Operation Temp.
PCM-3341F-00A1E	STPC Atlas	32 MB	Yes	18-bit	1	4	*Option	Yes	*Option	Yes	Yes	--	Yes	Passive	0 ~ 60° C
PCM-3341F-01A1E	STPC Atlas	64 MB	Yes	18-bit	1	4	*Option	Yes	*Option	Yes	Yes	--	Yes	Passive	0 ~ 60° C
PCM-3341Z-01A1E	STPC Atlas	64 MB	Yes	18-bit	1	4	*Option	Yes	*Option	Yes	Yes	--	Yes	Passive	-20 ~ 80° C

Optional Accessories

- USB cable (p/n:1703100260)
- RS-422/485 cable (p/n:1703040157)
- FFC Cable for Slim FDD (p/n:1701260125)
- Flat Cable for 5.25" & 3.5" FDD (p/n:1701340700)
- FDD Convert Board (p/n:9681000044)